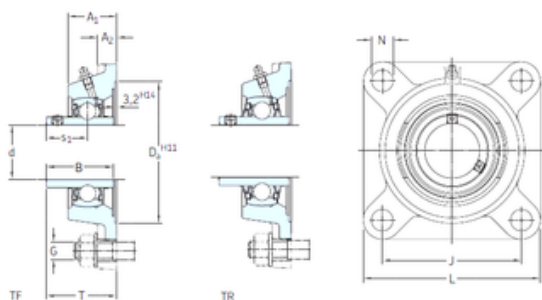




BEARING CORP.OF AMERICA

SKF FY 1.3/4 FM Bearing units



Bearing No. FY 1.3/4 FM

Bore Diameter	44,45 mm
d	44,45 mm
s1	32,7 mm
A1	39 mm
B1	43,7 mm
G	14 mm
J	105 mm
L	137 mm
T	56,5 mm
A2	14 mm
Weight	2,15 Kg
Basic dynamic load rating (C)	33,2 kN
Basic static load rating (C0)	21,6 kN
Fatigue load limit (Pu)	0,915
Category	Flange Block Bearings
Inventory	0.0
Manufacturer Name	SKF
Minimum Buy Quantity	N/A
Weight / Kilogram	2.15
EAN	7316576613685
Product Group	M06110
Number of Mounting Holes	4
Mounting Method	Eccentric Collar
Housing Style	4 Bolt Square Flange Block
Rolling Element	Ball Bearing
Housing Material	Cast Iron

FY 1.3/4 FM Bearing 2D drawings and 3D CAD models



BEARING CORP.OF AMERICA

Expansion / Non-expansion	Non-expansion
Mounting Bolts	9/16 Inch
Relubricatable	Yes
Insert Part Number	YET 209-112
Seals	M Seal
Housing Configuration	1 Piece Solid
Pilot Configuration	No Pilot
Inch - Metric	Inch
Long Description	4 Bolt Square Flange Block; 1-3/4" Bore; 5.8" Bolt Circle; 4-1/8" Bolt Spacing; 1 Piece Solid; Eccentric Collar Mount; Cast Iron; Ball Bearing; 1-23/32" Length Thru Bore; Relubrica
Other Features	Single Row Standard Duty Narrow Inner Race Open End Y Bearing
Category	Flange Block
UNSPSC	31171501
Harmonized Tariff Code	8483.20.40.40
Noun	Bearing
Keyword String	Flanged
Manufacturer URL	http://www.skf.com
Manufacturer Item Number	FY 1.3/4 FM
Weight / LBS	4.74
Nominal Bolt Circle Diameter Round	5.8 Inch 148 Millimeter
Cartridge Pilot Depth	0 Inch 0 Millimeter
Bolt Spacing	4.125 Inch 104.78 Millimeter
Length Thru Bore	1.719 Inch 43.663 Millimeter
Bore	1.75 Inch 44.45 Millimeter
Cartridge Pilot Diameter	0 Inch 0 Millimeter



BEARING CORP.OF AMERICA

Housing material	Cast iron
D_a	119.1 mm
D_{b1}	102 mm
D_{b2}	112 mm
A	39 mm
A_1	14 mm
A_3	3.2 mm
A_5	26.5 mm
B_1	43.7 mm
N	16 mm
s_1	32.7 mm
R_G	1/4-28 UNF
R_1	24.5 mm
D_N	6.5 mm
SW_N	7 mm
G_N	1/4-28 SAE-LT
J_6	123 mm
J_7	33.5 mm
N_4	4 mm
Basic dynamic load rating C	33.2 kN
Basic static load rating C_0	21.6 kN
Fatigue load limit P_u	0.915 kN
Limiting speed	4300 r/min
Mass bearing unit	2 kg
Thread grub screw G_2	3/8-24 UNF
Hexagonal key size for grub screw N	4.763 mm
Recommended tightening torque for grub screw	16.5 N · m
Recommended diameter for attachment bolts, mm G	14 mm
Recommended diameter for attachment bolts, inch G	0.5625 in



BEARING CORP.OF AMERICA

Housing	FY 509 M
Bearing	YET 209-112
End cover	ECY 209