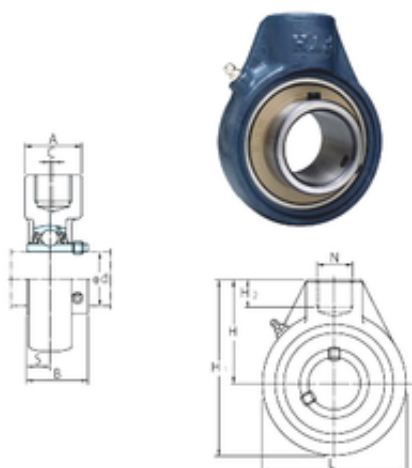




# BEARING CORP.OF AMERICA

## FYH UCHA211-32 Bearing units



Bearing No. UCHA211-32

Bore Diameter	50,8 mm
Width	55,6 mm
d	50,8 mm
A	60 mm
B	55,6 mm
C	7 mm
H	87 mm
H1	150 mm
H2	25 mm
L	126 mm
S	22,2 mm
Bolt (G)	PF 1 1/4
Weight	2,8 Kg
Basic dynamic load rating (C)	43,4 kN
Basic static load rating (C0)	29,4 kN

UCHA211-32 Bearing 2D drawings and 3D CAD models