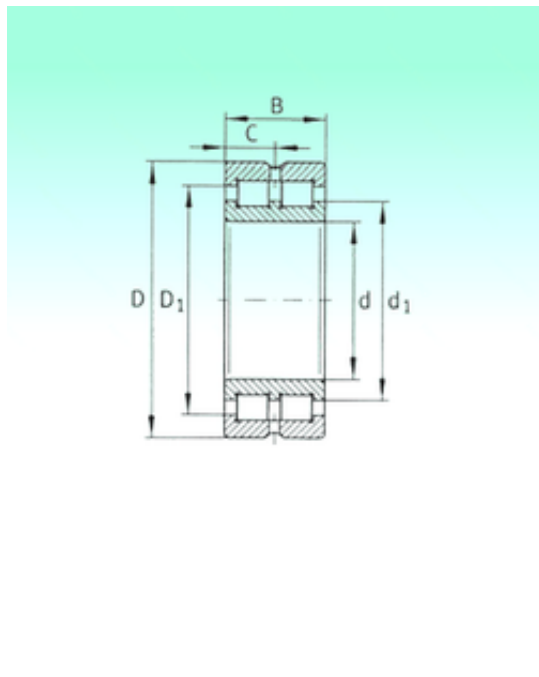




BEARING CORP.OF AMERICA



360 mm x 480 mm x 118 mm NBS SL014972 Cylindrical roller bearings

Bearing No. SL014972

Size	360x480x118 mm
Bore Diameter	360 mm
Outer Diameter	480 mm
Width	118 mm
d	360 mm
D	480 mm
B	118 mm
C	118 mm
d1	404 mm
C	59 mm
D1	436,8 mm
Weight	62,1 Kg
Basic dynamic load rating (C)	1810 kN
Basic static load rating (C0)	4500 kN

SL014972 Bearing 2D drawings and 3D CAD models