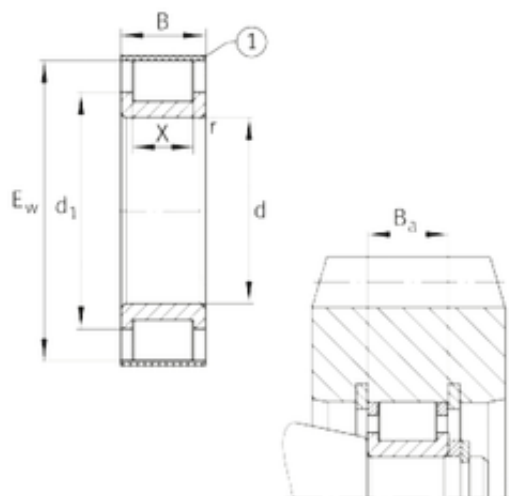




BEARING CORP.OF AMERICA

INA RSL182324-A Cylindrical roller bearings

Bearing No. RSL182324-A



Size	120x231.386x86 mm
Bore Diameter	120 mm
Outer Diameter	231,386 mm
Width	86 mm
d	120 mm
Ew	231,386 mm
B	86 mm
Ba	80,4 mm
X	64 mm
d1	164,5 mm
r min.	3 mm
Weight	14,3 Kg
Basic dynamic load rating (C)	1000 kN

RSL182324-A Bearing 2D drawings and 3D CAD models