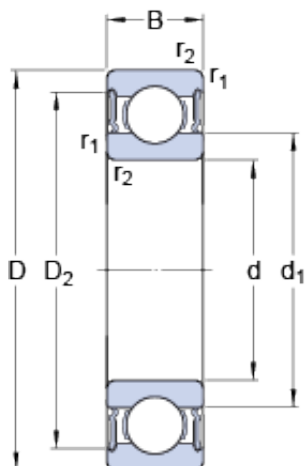




BEARING CORP.OF AMERICA



65 mm x 140 mm x 33 mm SKF 6313-2RS1 Deep groove ball bearings

Bearing No. 6313-2RS1

6313-2RS1 Bearing 2D drawings and 3D CAD models

| | |
|---|--------------------------|
| Size | 140x65x33 mm |
| Bore Diameter | 140 mm |
| Outer Diameter | 65 mm |
| Width | 33 mm |
| d | 65 mm |
| D | 140 mm |
| B | 33 mm |
| d ₁ | 88.35 mm |
| D ₂ | 121.3 mm |
| r _{1,2} - min. | 2.1 mm |
| d _a - min. | 77 mm |
| d _a - max. | 88.3 mm |
| D _a - max. | 128 mm |
| r _a - max. | 2 mm |
| Basic dynamic load rating - C | 97.5 kN |
| Basic static load rating - C ₀ | 60 kN |
| Fatigue load limit - P _u | 2.5 kN |
| Limiting speed | 3200 r/min |
| Calculation factor - k _r | 0.03 |
| Calculation factor - f ₀ | 13.2 |
| Category | Single Row Ball Bearings |
| Inventory | 0.0 |
| Manufacturer Name | SKF |
| Minimum Buy Quantity | N/A |



BEARING CORP.OF AMERICA

| | |
|---------------------------------|--|
| Weight / Kilogram | 2.157 |
| Product Group | B00308 |
| Enclosure | 2 Seals |
| Precision Class | ABEC 1 ISO P0 |
| Maximum Capacity / Filling Slot | No |
| Rolling Element | Ball Bearing |
| Snap Ring | No |
| Internal Special Features | No |
| Cage Material | Steel |
| Enclosure Type | Contact Seal |
| Internal Clearance | C0-Medium |
| Inch - Metric | Metric |
| Long Description | 65MM Bore; 140MM Outside Diameter; 33MM Outer Race Width; 2 Seals; Ball Bearing; ABEC 1 ISO P0; No Filling Slot; No Snap Ring; No Internal Special Features; C0-Medium Internal Clearance; Steel Cage; |
| Other Features | Deep Groove NBR Seal |
| Category | Single Row Ball Bearing |
| UNSPSC | 31171504 |
| Harmonized Tariff Code | 8482.10.50.68 |
| Noun | Bearing |
| Keyword String | Ball |
| Manufacturer URL | http://www.skf.com |
| Manufacturer Item Number | 6313-2RS1 |
| Weight / LBS | 4.751 |
| Outer Race Width | 1.299 Inch 33 Millimeter |
| Outside Diameter | 5.512 Inch 140 Millimeter |
| Bore | 2.559 Inch 65 Millimeter |
| Inner Race Width | 0 Inch 0 Millimeter |



BEARING CORP.OF AMERICA

| | |
|--------------------------------|----------|
| d_1 | 88.35 mm |
| D_2 | 121.3 mm |
| $r_{1,2}$ min. | 2.1 mm |
| d_a min. | 77 mm |
| d_a max. | 88.3 mm |
| D_a max. | 128 mm |
| r_a max. | 2 mm |
| Basic dynamic load rating C | 97.5 kN |
| Basic static load rating C_0 | 60 kN |
| Fatigue load limit P_u | 2.5 kN |
| Calculation factor k_r | 0.03 |
| Calculation factor f_0 | 13.2 |
| Mass bearing | 2.16 kg |