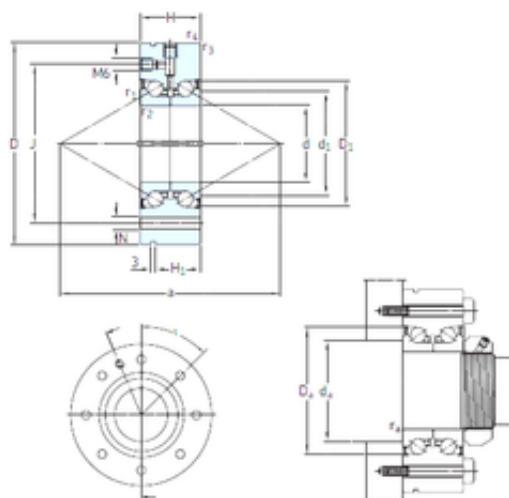




BEARING CORP. OF AMERICA



SNFA BEAM 40/100/C 7P60 Thrust ball bearings

Bearing No. BEAM 40/100/C 7P60

Size	40x100x34 mm
Bore Diameter	40 mm
Outer Diameter	100 mm
Width	34 mm
d	40 mm
D	100 mm
H	34 mm
a	117 mm
d1	58 mm
r1 min.	0,3 mm
r2 min.	0,3 mm
r3 min.	0,6 mm
r4 min.	0,6 mm
D1	68 mm
H1	25 mm
J	80 mm
N	8,8 mm
Thread (G)	M8
Bolt (G)	4x90 °
da max	50 mm
Da max.	68 mm
ra max.	0,6 mm
Weight	1,45 Kg
Basic dynamic load rating (C)	43,6 kN
Basic static load rating (C0)	102 kN

BEAM 40/100/C 7P60 Bearing 2D drawings and 3D CAD models



BEARING CORP.OF AMERICA

Fatigue load limit (Pu)	3,75
-------------------------	------