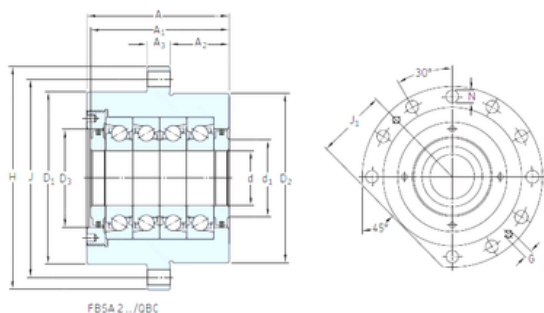




BEARING CORP.OF AMERICA



SNFA BSQU 250 TDT Thrust ball bearings

Bearing No. BSQU 250 TDT

Bore Diameter	50 mm
d	50 mm
d1	66 mm
A	106 mm
A1	104,26 mm
D1	128 mm
D2	124 mm
D3	76 mm
H	165 mm
J	146 mm
N	11,4 mm
Thread (G)	—
A2	43,5 mm
A3	17 mm
J1	64 mm
Weight	9,1 Kg
Basic dynamic load rating (C)	75,795 kN
Basic static load rating (C0)	292 kN

BSQU 250 TDT Bearing 2D drawings and 3D CAD models